



# 6000XXL ROMAN SOLDIER COURSE TEXTURED COVE JOINT

SOLOCAST EMBEDDED BRICK

US D704,865 S, US D704,866 S, US 10,060,143 B2

US D704,865 S

US D704,866 S

US 10,060,143 B2

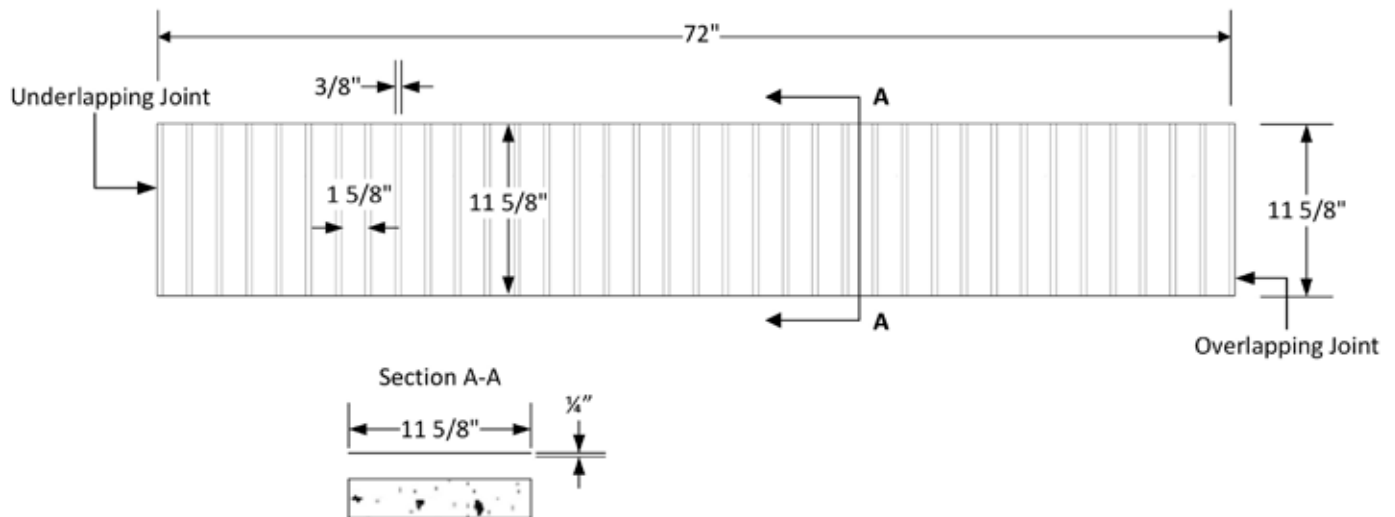
Sheet size: 72" W X 12" H

Square ft per sheet: 6

Vertical joint width: 3/8"

Joint height: 1/4"

ADVANCED FORMLINERS, LLC  
www.advancedformliners.com



Brick Sizes:  
11 5/8" W x 11 5/8" H

Part Size: 72" W x 12" H

Maximum Depth: 1/4"