



6000XXL ROMAN SOLDIER COURSE

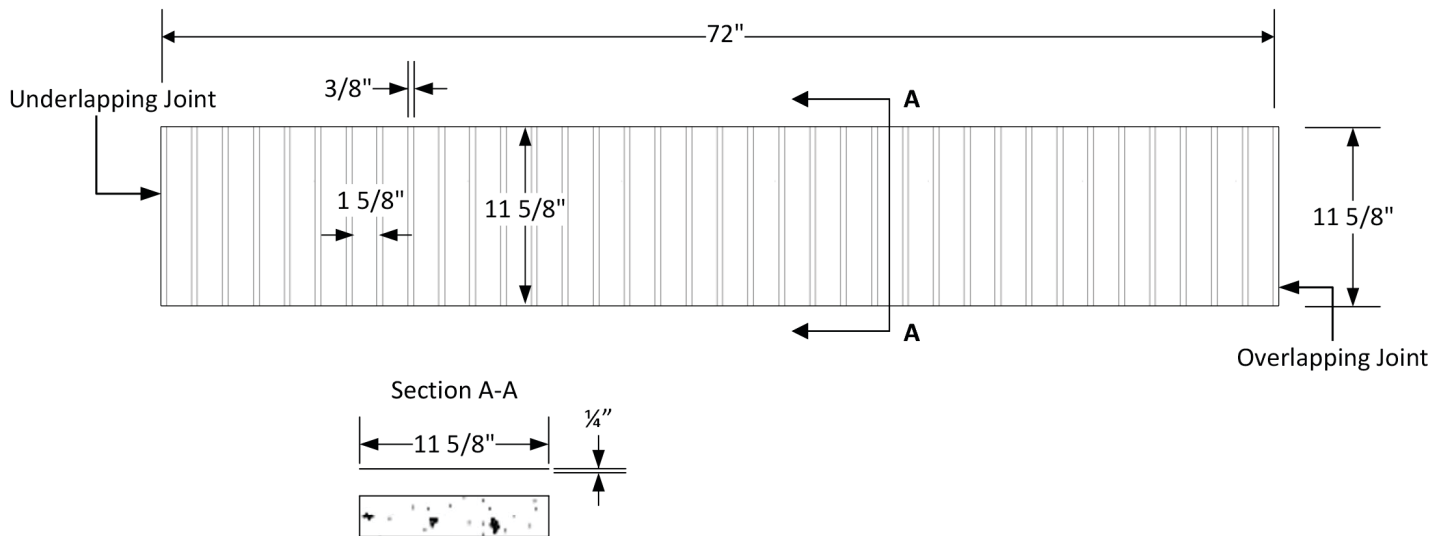
SOLOCAST SEAMLESS FORMLINER

Patent No. US 8,852,724 B2

ADVANCED FORMLINERS, LLC
www.advancedformliners.com

Sheet size: 72" W X 12" H
Square ft per sheet: 6
Vertical joint width: 3/8"
Joint height: 1/4"

Solocast Seamless



Brick Sizes:
11 5/8" W x 1 5/8" H

Part Size: 72" W x 12" H

Maximum Depth: 1/4"

ADVANCED FORMLINERS, LLC
www.advancedformliners.com

Bob Calmes, National Sales Manager
(920) 819-9851 | bob@advancedformliners.com