



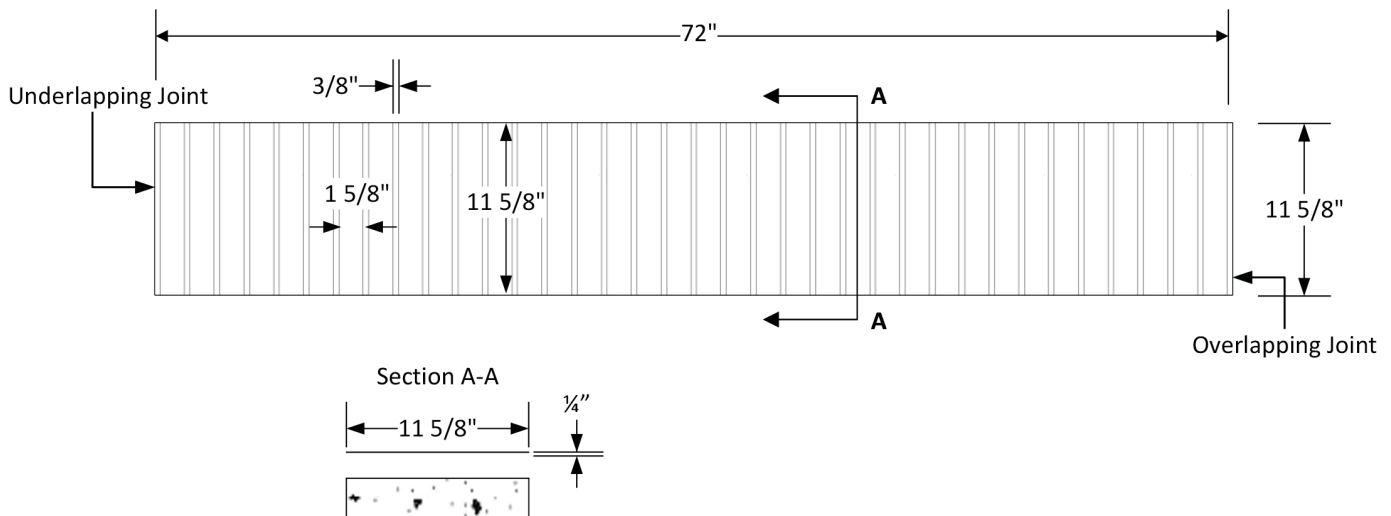
6000XXL ROMAN SOLDIER COURSE

SOLOCAST EMBEDDED BRICK

US D704,865 S, US D704,866 S, US 10,060,143 B2

ADVANCED FORMLINERS, LLC
www.advancedformliners.com

Sheet size: 72" W X 12" H
Square ft per sheet: 6
Vertical joint width: 3/8"
Joint height: 1/4"



Brick Sizes:
11 5/8" W x 1 5/8" H

Part Size: 72" W x 12" H

Maximum Depth: 1/4"

ADVANCED FORMLINERS, LLC
www.advancedformliners.com

Bob Calmes, National Sales Manager
(920) 819-9851 | bob@advancedformliners.com